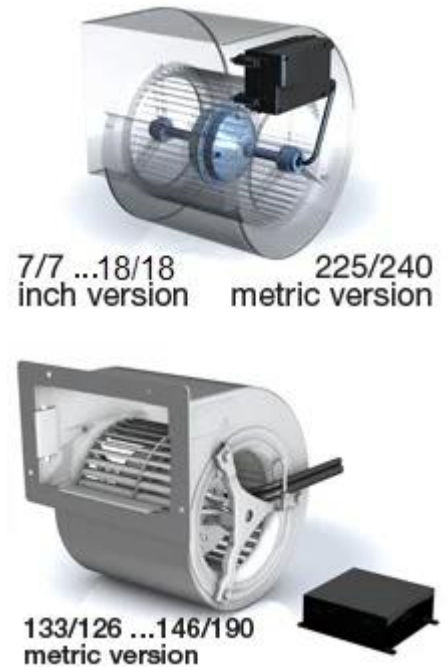


Specification of: DDMP 15/11 M6M1 DG7 400V-3F

High performance centrifugal fan DDMP

Double width, double inlet (DWDI), direct drive, forward curved blades fan. Lap-jointed scroll made of galvanized steel (EN 10142), assembled through a high-technology roller-locked seaming. Straight cut off plate at fan discharge. Impeller with forward curved blades of galvanized steel plate, directly mounted on a brushless, permanent magnets, external rotor motor, without transmission losses, dynamically balanced according to DIN ISO 21940-11. Highly-efficient 5,5kW three-phase sensor-less driver, with advanced control algorithm, passive EMI filters and thermal derating protection. Driver directly installed on the scroll, and factory-configured, for a plug and play solution: no further configuration is needed. Continuous speed control of the Drive System by 0 ... 10 V analogue signal, or with Modbus RS485-compliant interface. All the drive system is completely in protection class IP 54. Power source 400V – 50/60 Hz. Air performance ratings according to AMCA 210-07 (Fig. 12) and ISO 5801:1997 (Fig. 69 c and par. 30.2 f).

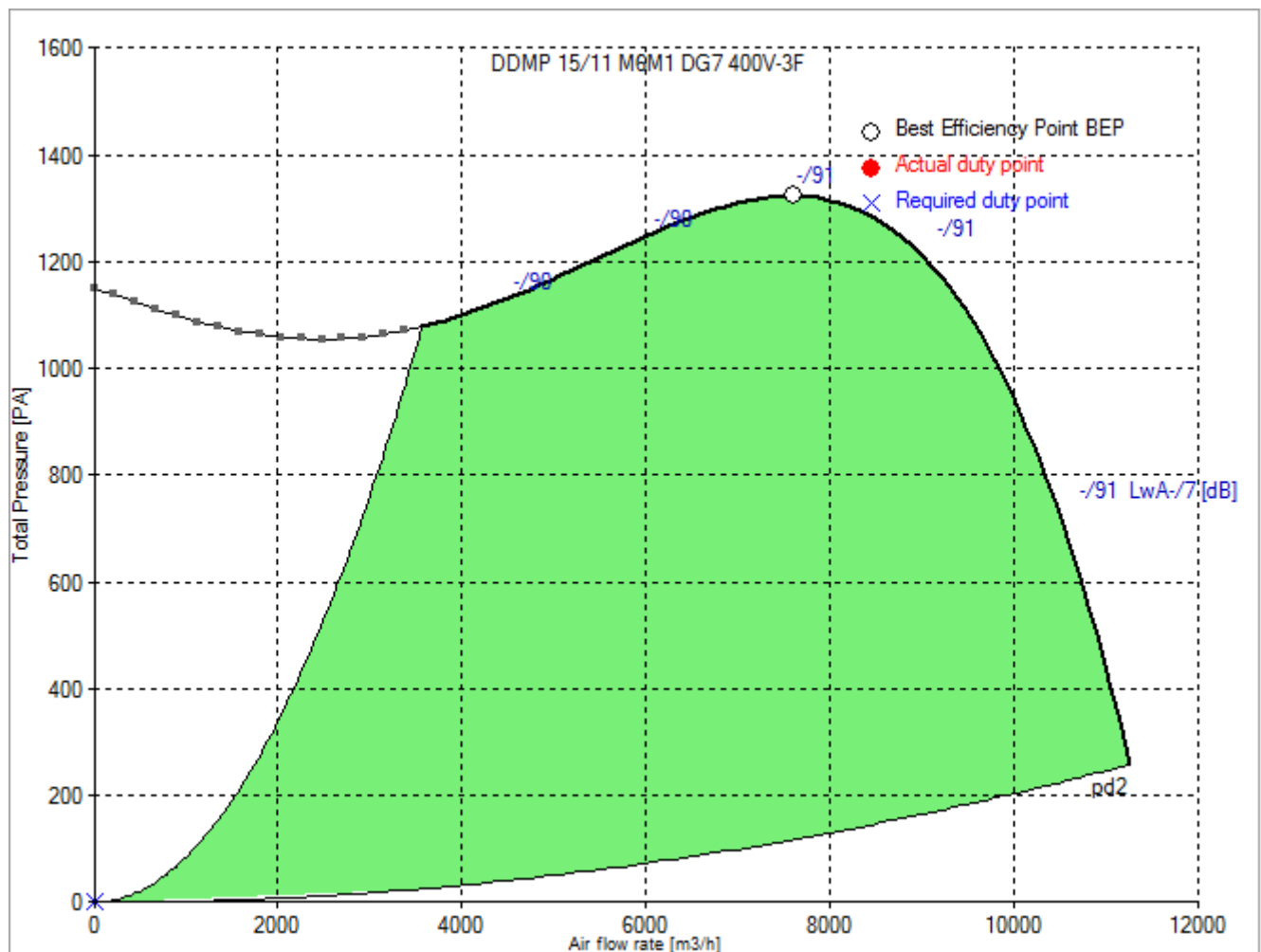


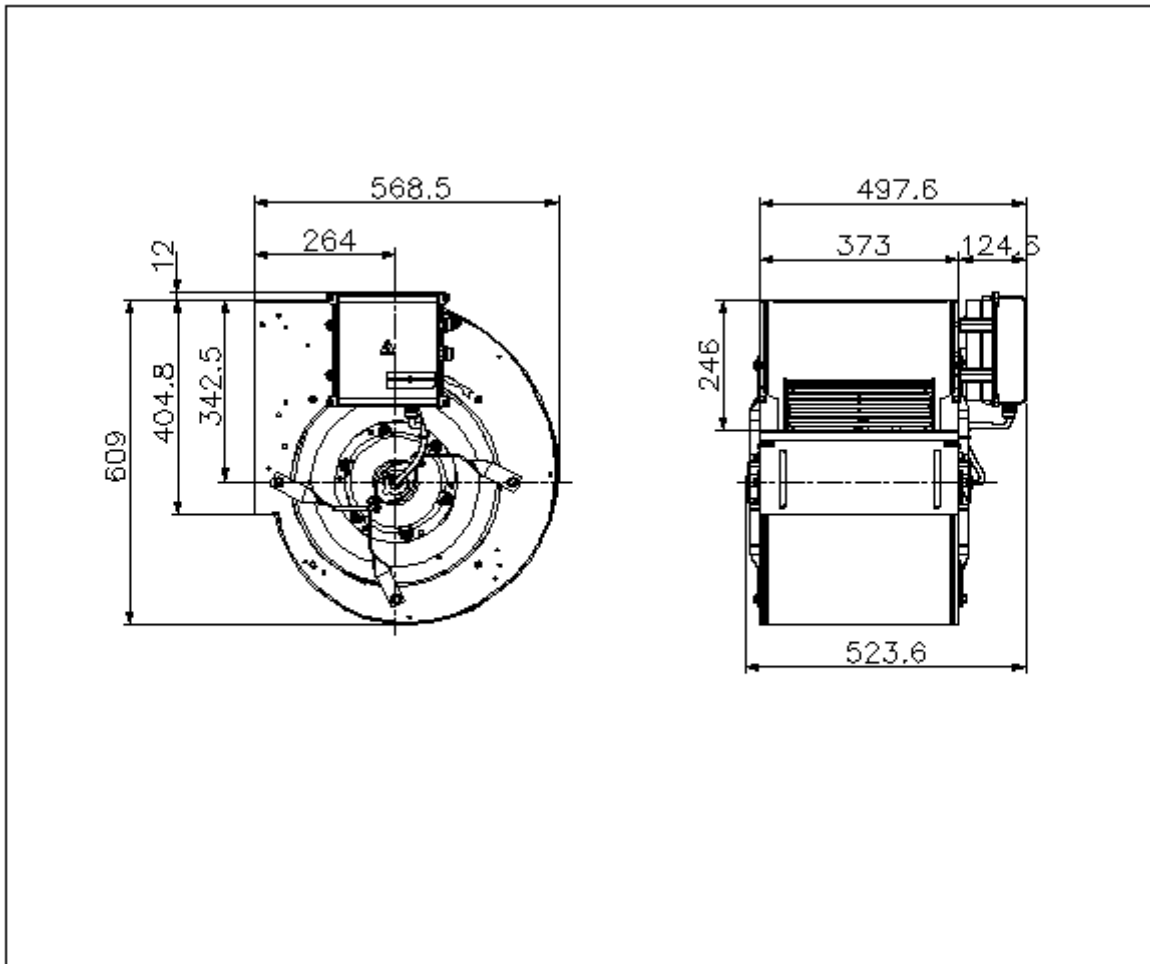
Technical data of the fan: DDMP 15/11 M6M1 DG7 400V-3F

[fulfills the ErP requirements 2015](#)

Description	Value Dimension
Specified duty point	
Actual duty point	
Installation acc. DIN 24163 Part 1	B
Reference density (Rho1)	1.20 kg/m ³
Medium temperature (t)	20 C
Fan weight	35 kg
<small>This duty point can only be reached by using an inverter/controller for motor speed control!</small>	
Rated data	
Phases-Voltage-Frequency	3~400-50/60 V-Hz
Rated motor speed (n _N)	1450 min ⁻¹
Rated motor current (I _N)	8,3 A
operational limits	
Max. absorbed power (P _{1max})	5.4 kW
Temperature range of conveying medium (t _{min} ...t _{max})	-20...40 C
ErP-Data at best efficiency and density - kg/m³	
measurement- / efficiency category	B / total
design status of VSD	VSD is integrated
overall efficiency (ETA _{opt})	63.5 %
achieved efficiency grade (N _{ist})	65.7
required efficiency grade in 2013 / 2015 (N)	42 / 49
Air flow rate (V _{opt})	7609 m ³ /h
pressure rise (dp _{opt})	1300 Pa
Fan speed (n _{vopt})	1450 min ⁻¹
motor power input (P _{1opt})	4.33 kW
specific ratio (d _{dpopt})	1.013

Fan curve to DDMP 15/11 M6M1 DG7 400V-3F

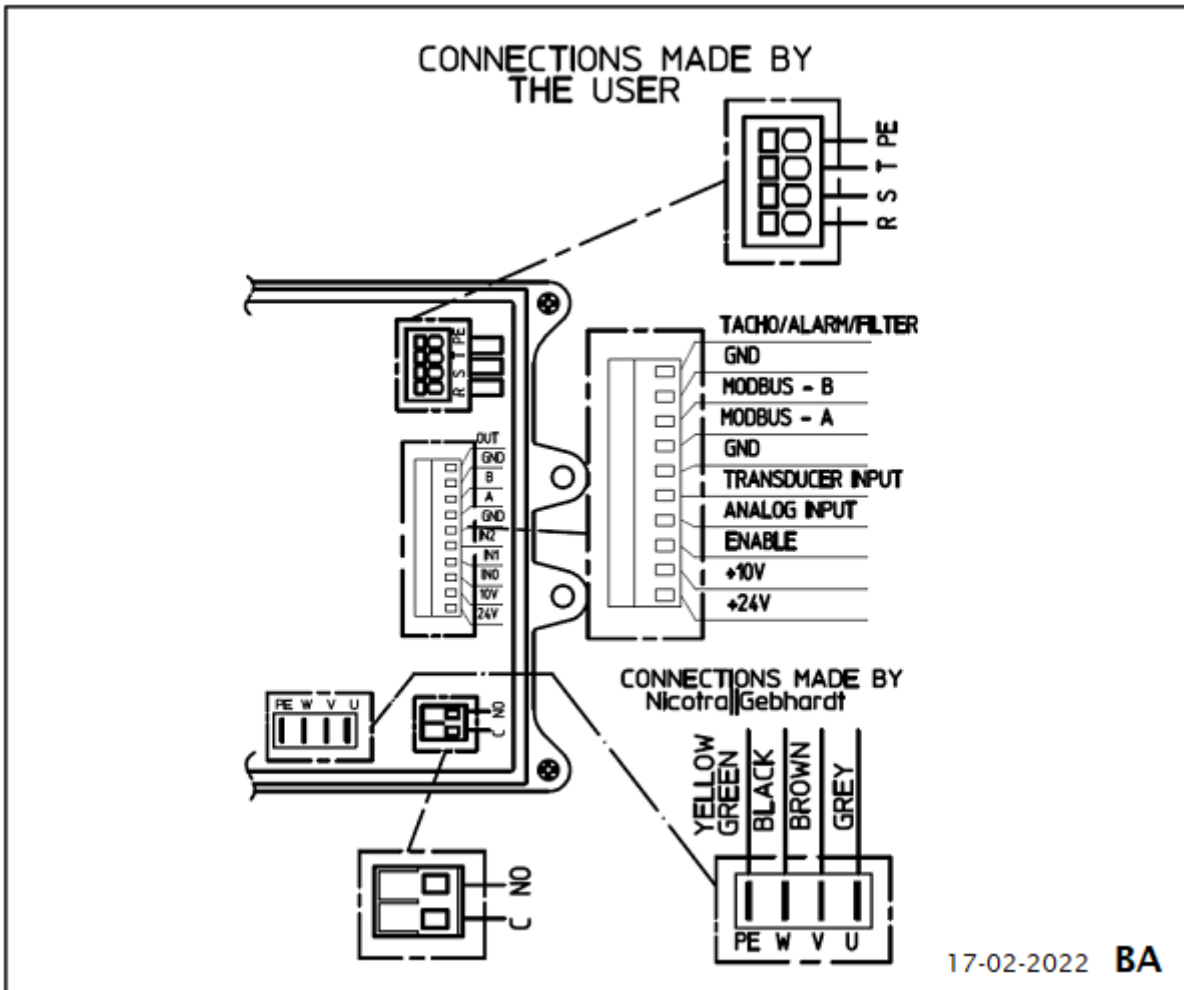




Rotation:
Handing:

RD
90

Wiring diagram of the fan DDMP 15/11 M6M1 DG7 400V-3F



Wiring diagram for connection to: [mains - VSD - motor](#)
 Rotation: [LG](#)